

COMBI OVEN-STEAMER

Options & Accessories

Project _____
 Item _____
 Quantity _____
 FCSI Section _____
 Approval _____
 Date _____

ConvoClean Hands Free AUTOMATIC WASHING SYSTEM

ConvoClean

Model #	Description
CACK	ConvoClean Hands Free Built-in Automatic Cleaning System



Includes Auto Wash Cleaning Kit (C-Start):

- one - 10 liter container of ConvoClean (CCLEAN)
- one - 10 liter container of ConvoCare pre-mix (CCARE)
- set of connectors and hoses

Pressure Spray Bottle

Model #	Description
CPSB	Pressure Spray Bottle for manual cleaning (two recommended - one for CCLEAN and one for CCARE)



ConvoClean

Model #	Description
CCLEAN	ConvoClean solution Includes: two - 10 liter containers



ConvoCare

Model #	Description
CCARE	ConvoCare solution pre-mix Includes: two - 10 liter containers, pre-mix



ConvoCareC

Model #	Description
CCAREC	ConvoCare Solution Concentrate Includes: two - 1 liter bottles of concentrate



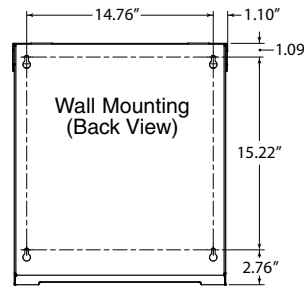
Dissolve

Model #	Description
106174	Descaling Solution Includes: 6 - one gallon containers with quart markings

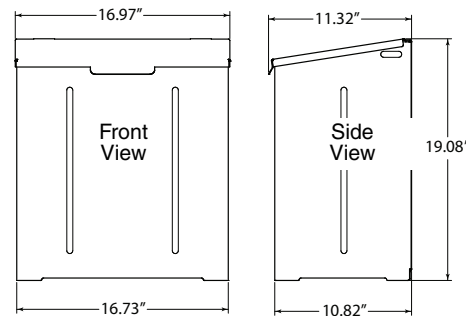


Dissolve

Model #	Description
CSC	Stainless Steel Storage Container for ConvoCare and ConvoClean containers
CSCD	Fiberglass molded dolly for Storage Container



Dimensions - CSC



Dimensions - CSCD

